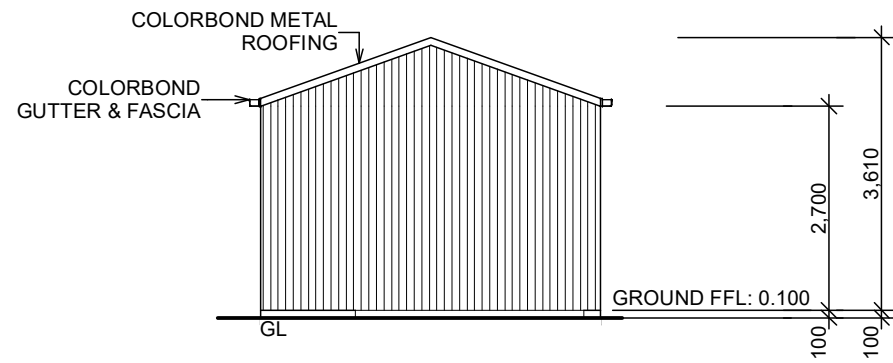


**LOCATION PLAN**  
1:5000

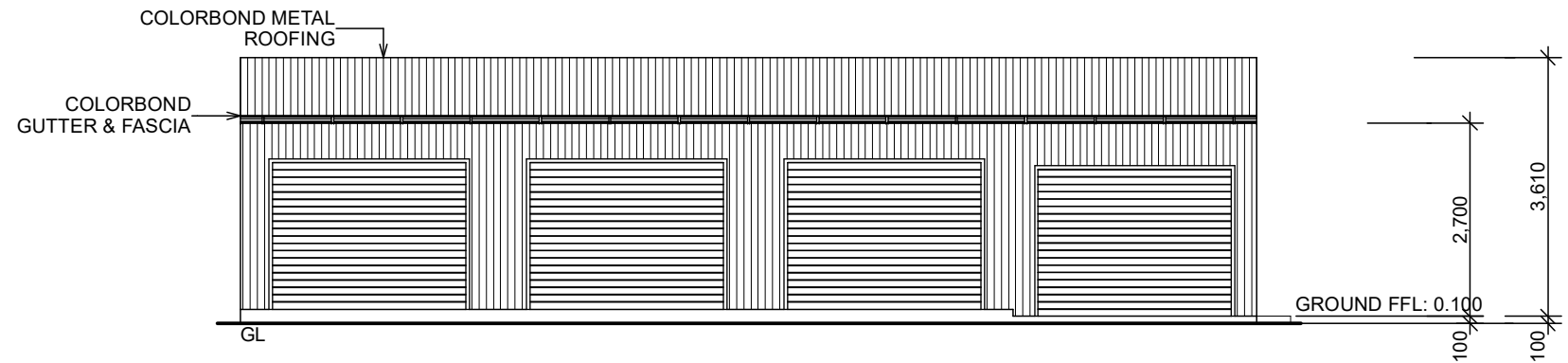


CLIENT:	MAITLAND HOCKEY CENTRE (ATTN: BILL KINSEY)
PROJECT:	PROPOSED DETACHED STORAGE SHED (REPLACE EXISTING) AT LOT 59; DP 1148410 155 ELGIN STREET, MAITLAND
ISSUE:	

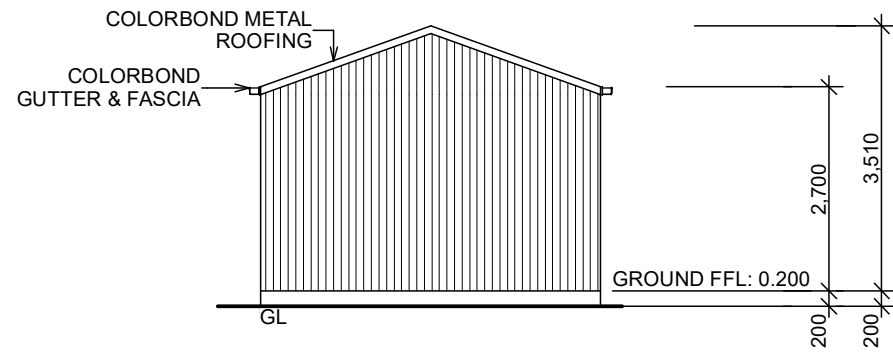
DRAWING TITLE:	LOCATION PLAN
DATE:	28/09/2023
SCALE:	1:100, 1:200 @ A3
DRAWING No:	231387
PAGE No:	2 / 5 ©



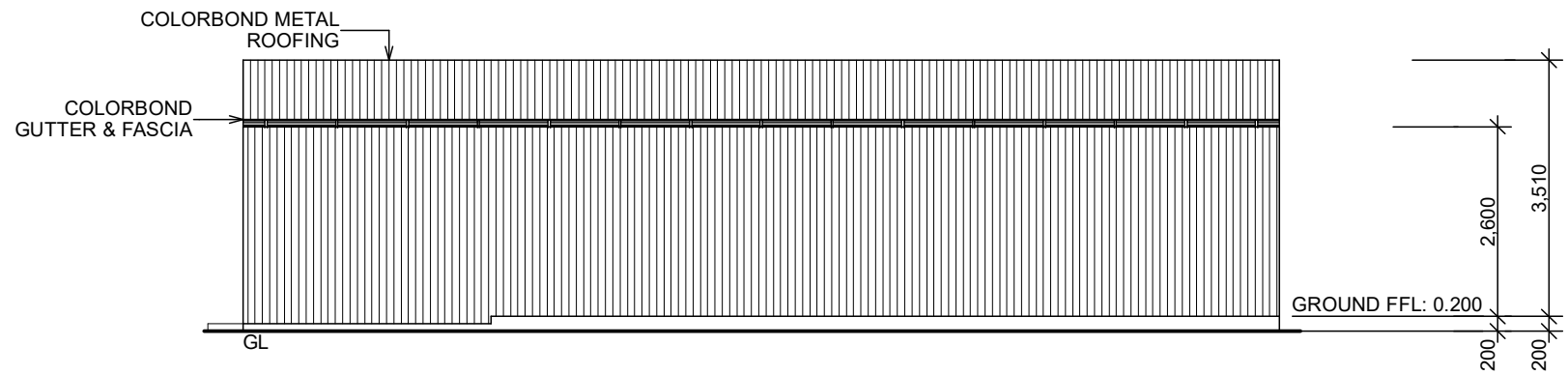
**NORTH ELEVATION**  
1:100 ALL LEVELS ASSUMED



**EAST ELEVATION**  
1:100 ALL LEVELS ASSUMED



**SOUTH ELEVATION**  
1:100 ALL LEVELS ASSUMED



**WEST ELEVATION**  
1:100 ALL LEVELS ASSUMED



CLIENT:	MAITLAND HOCKEY CENTRE (ATTN: BILL KINSEY)	
PROJECT:	PROPOSED DETACHED STORAGE SHED (REPLACE EXISTING) AT LOT 59; DP 1148410 155 ELGIN STREET, MAITLAND	
ISSUE:		

DRAWING TITLE:	ELEVATIONS	
DATE:	28/09/2023	
SCALE:	1:100, 1:200	@ A3
DRAWING No:	231387	
PAGE No:	5 / 5	©