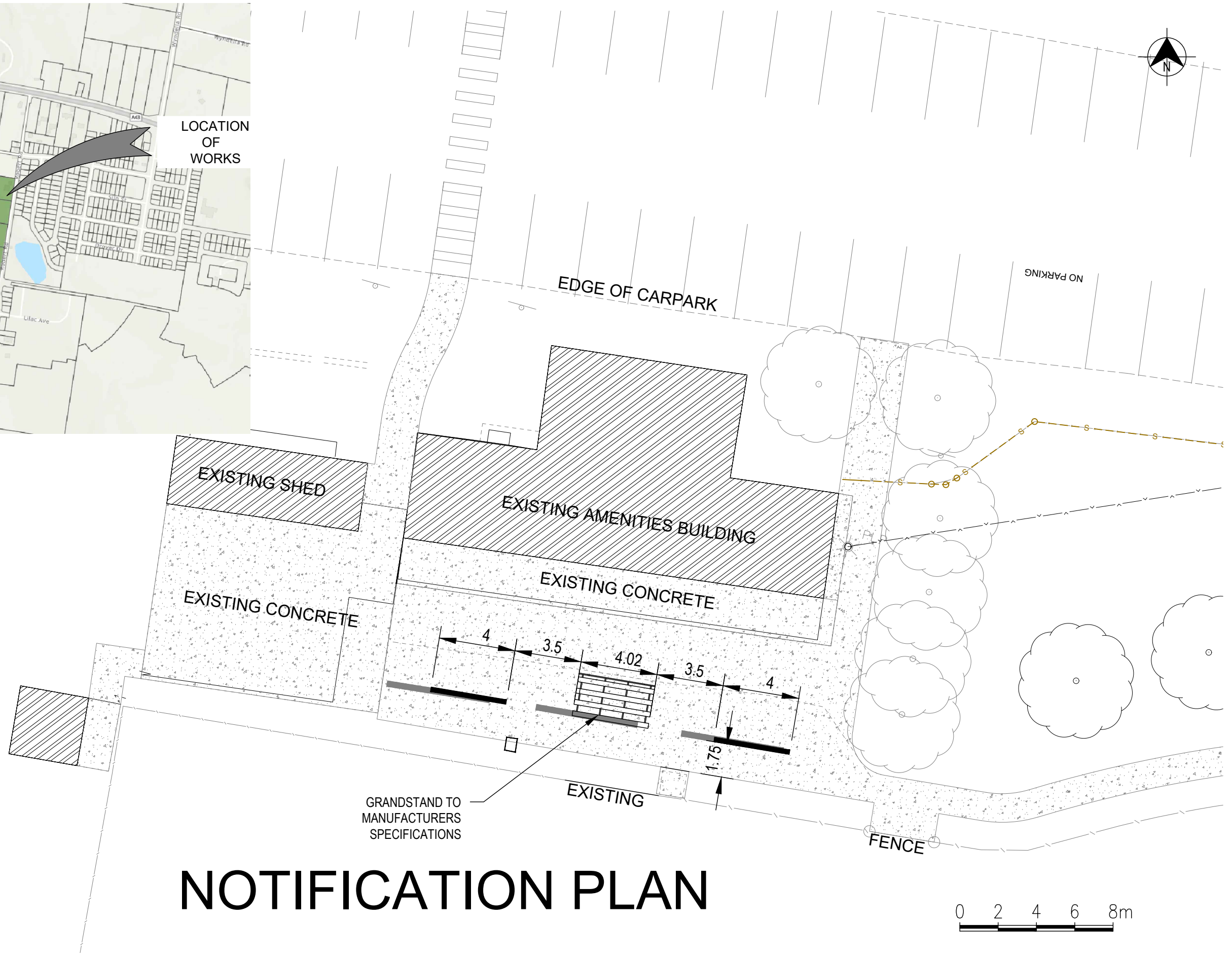




LOCATION OF WORKS



NOTIFICATION PLAN

F:\Survey and Design\Task Folders 2122\Lochinvar Sports Complex - 4018 - RFR8 - Grant\02 DESIGN\4018-Grandstand.dwg

A	FOR APPROVAL	TOB	6/11/2023
	SHEET REVISION	BY	DATE

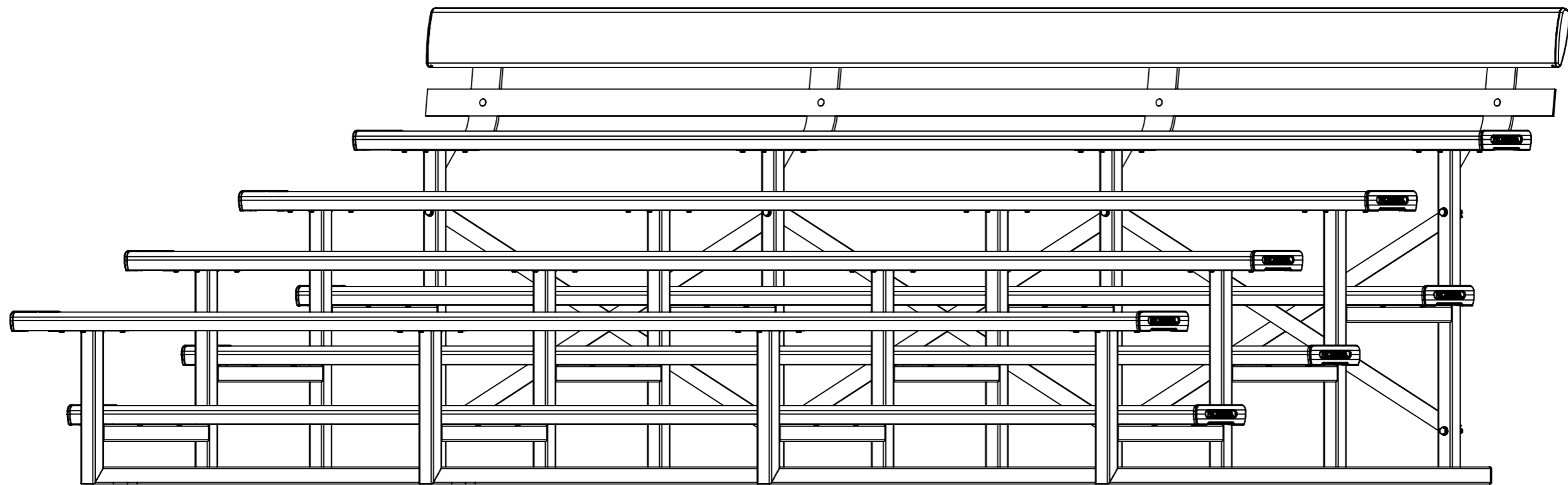
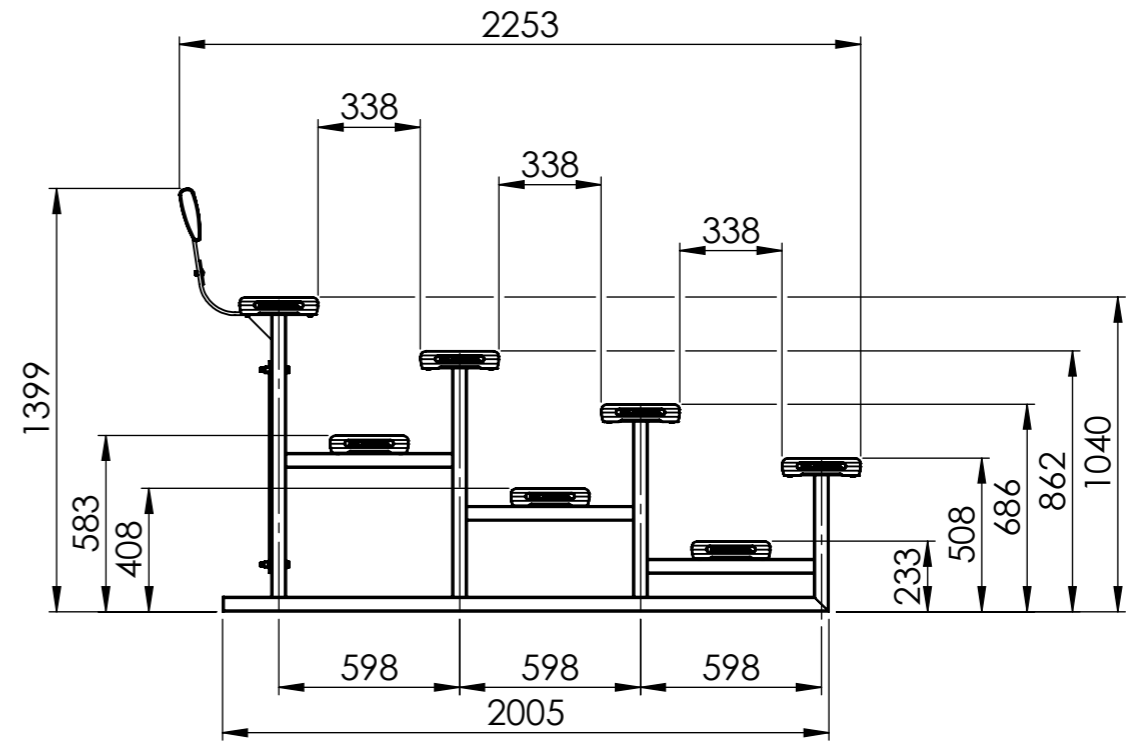
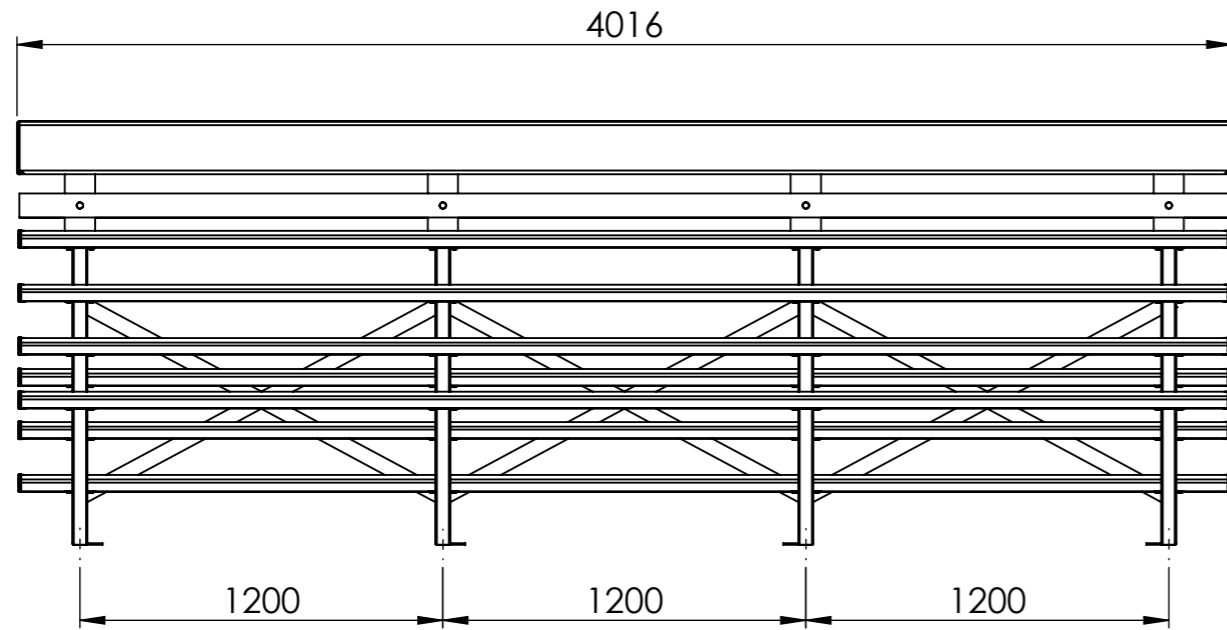
CONSTRUCTION PLAN

RATIO @A3
 Horizontal Ratio: 1:200
 Vertical Ratio:
 SURVEYOR: M. Osborn
 DESIGNER: Tony O'Beirne
 DATUM: A.H.D.
 DATE OF PLAN: 6/11/2023

MAITLAND CITY COUNCIL
 INFRASTRUCTURE & WORKS
 285-287 HIGH STREET
 P.O. BOX 220
 MAITLAND 2320
 PHONE: (02) 49349700
 FAX (02) 49333209
 DX 21613 MAITLAND

LOCHINVAR SPORTING COMPLEX
 308 ROBERT ROAD
 LOCHINVAR
 PLAN SHEET ~ Grandstand Location

PLAN No.
4018-3A
 Sheet 2 of 02



<p>PO BOX 235 CONDOBOLIN NSW 2877 PH: 1800 22 00 55 FAX: 1800 05 91 58 WS: www.felton.net.au</p> <p>ALL DATA DISCLOSED HEREIN IS THE PROPERTY OF FELTON INDUSTRIES AND MAY NOT BE USED FOR MANUFACTURE, PROCUREMENT OR DISCLOSURE WITHOUT THE PERMISSION OF THE OWNER</p>	NAME	SIGNATURE	DATE	TITLE:	Unit: mm Language EN Format A3 Rev A
	DRAWN	A.H	12.10.20	SELG4T4_4 mtr SELECT GRANDSTAND	
	CHK'D	O.W	20.10.20		
	APP'VD	J.W	24.10.20		
	MFG				
MATERIAL:				DWG NO.	
WEIGHT (Kg): 156.51				SCALE:1:25	SHEET 1 OF 1